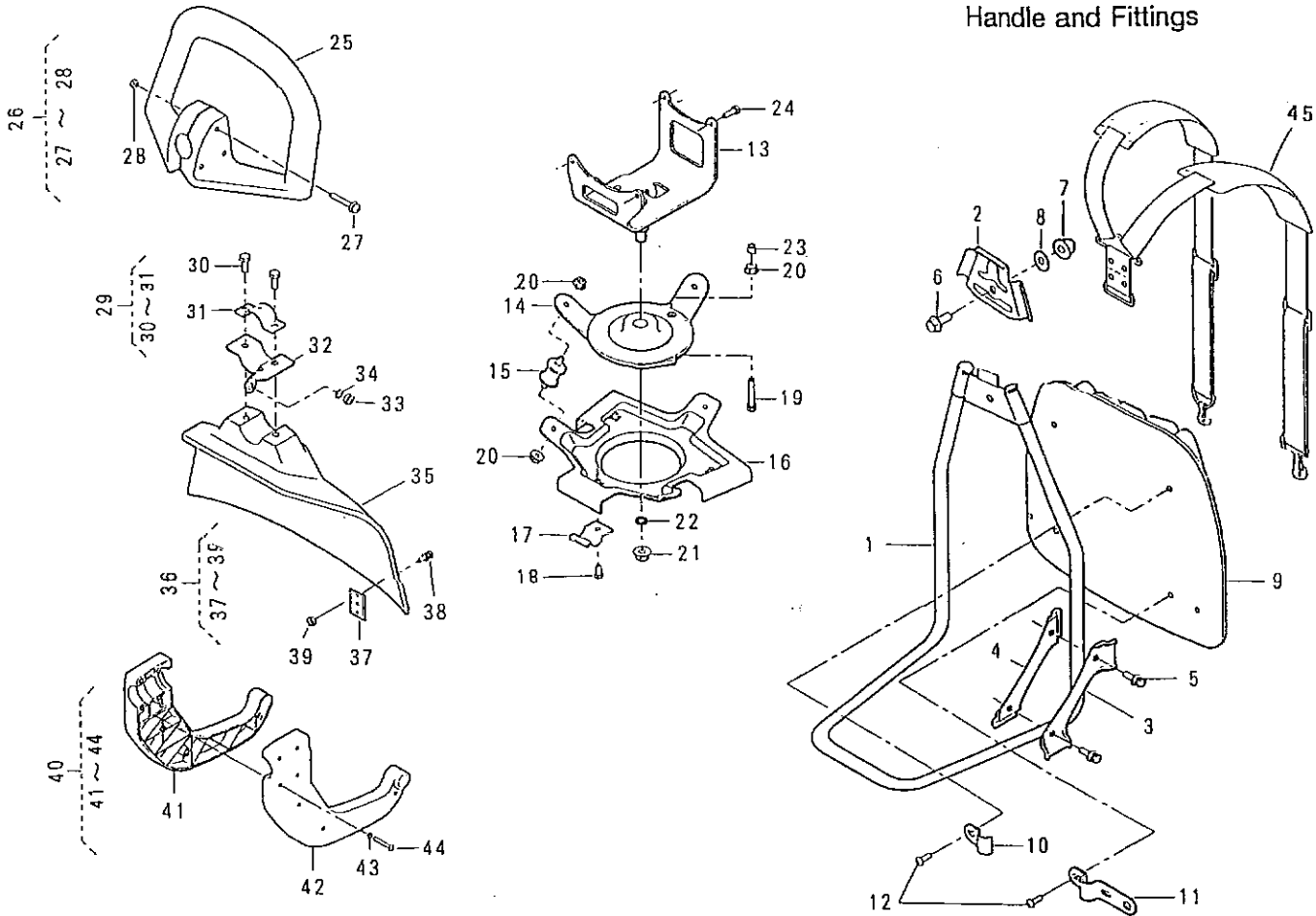


VRS400(TL52)

Handle and Fittings



46013-508

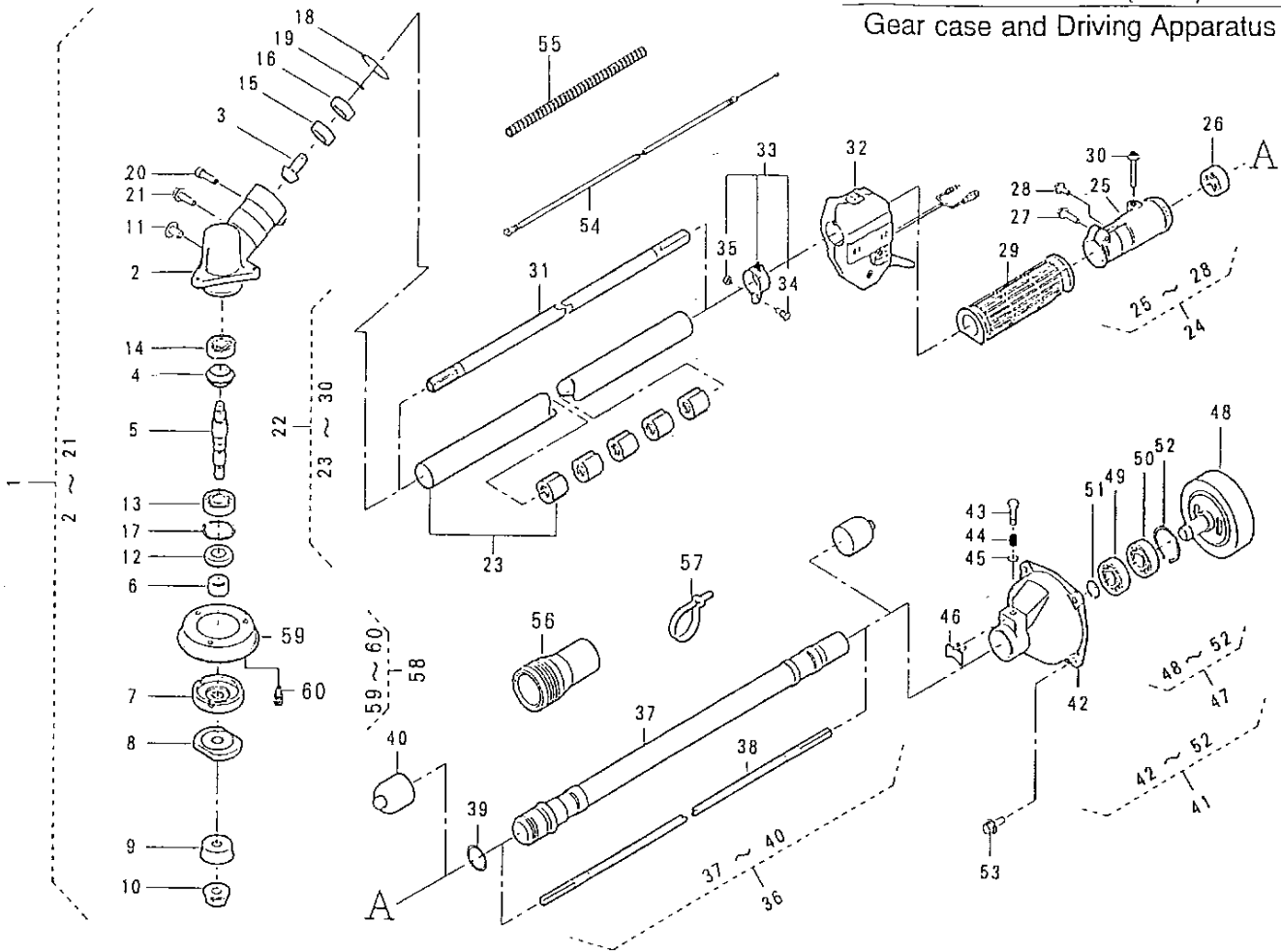
REF. NO.	PARTS NO.	PARTS NAME	Q' TY			RECOMM. (%)	REMARKS
				INCLUDING			
1	36122 119 42	KNAPSACK FRAME	1			3	
2	11113 290	STAY	1			3	
3	11113 298	STAY	2			3	
4	11113 299	STAY	2			3	
5	315L 0616	(+)HEXAGON BOLT(W/SW, PW)	M6x16	4		3	
6	335L 0815	FLANG BOLT	M8x15	1		3	
7	583L 0800	FLANGE CAP NUT	M8	1		3	
8	611L 0800	PLAIN WASHER	M8	1		3	
9	91027 119	KNAPSACK PAD		1		3	
10	11021 101	KNAPSACK PAD FITTING		2		3	
11	11021 105	KNAPSACK PAD FITTING		2		3	
12	475L 0516	(+)TAPPING SCREW	M5x16	6		3	
13	11020 132	ENGINE SUPPORT CP		1		1	
14	11121 106 09	VIBRO-ISOLATING SUPPORT CP		1		3	
15	36005 111	VIBRO-ISOLATING RUBBER		3		9	
16	11044 171	BASE		1		3	
17	11011 123	CLAMP		3		3	
18	318L 0512	(+)HEXAGON BOLT(W/SW)	M5x12	3		3	
19	315L 0630	(+)HEXAGON BOLT(W/SW, PW)	M6x30	1		3	
20	571L 0600	FLANGE NUT	M6	7		3	
21	513L 1000	NUT	M10	1		3	
22	661L 1000	SPRING LOCK WASHER	M10	1		3	
23	36015 101	STOPPER RUBBER		1		1	
24	31057 139	HEXAGON BOLT	M5x25	4		3	
25	51023 142	SINGLE HANDLE		1		3	

REF. NO.	PARTS NO.		PARTS NAME	Q'TY		RECOMM. (%)	REMARKS
					INCLUDING		
26	71052	125	BOLT SET	1	:	-	
27	374L	0535	(+)SCREW(W/SW, PW) M5x35	3		3	
28	512L	0500	HEXAGON NUT M5	3		3	
29	71038	157	SAFETY GUARD BAND SET	1		-	
30	11029	132	SAFETY GUARD BAND	1		4	
31	322L	0620	(+)HEXAGON BOLT M6x20	2		3	
32	11029	133	SAFETY GUARD BAND	1		4	
33	512L	0600	HEXAGON NUT M6	1		3	
34	661L	0600	SPLING LOCK WASHER M6	1		3	
35	36046	134	SAFETY GUARD	1		4	
36	71125	108	BLADE SET	1		-	
37	01014	166	BLADE	1		3	
38	318L	0415	(+)HEXAGON BOLT	2		3	
39	511L	0400	HEXAGON NUT	2		3	
40	71166	101	GUARD SET	1		4	
41	36068	136	GUARD	1		4	
42	36068	137	GUARD	1		4	
43	371L	0425	(+)SCREW M4 x 25			3	
44	666L	0400	CONICAL SPRING WASHER "			3	
45	36063	173	SHOULDER BAND			3	

I² SERIE

VRS400(TL52)

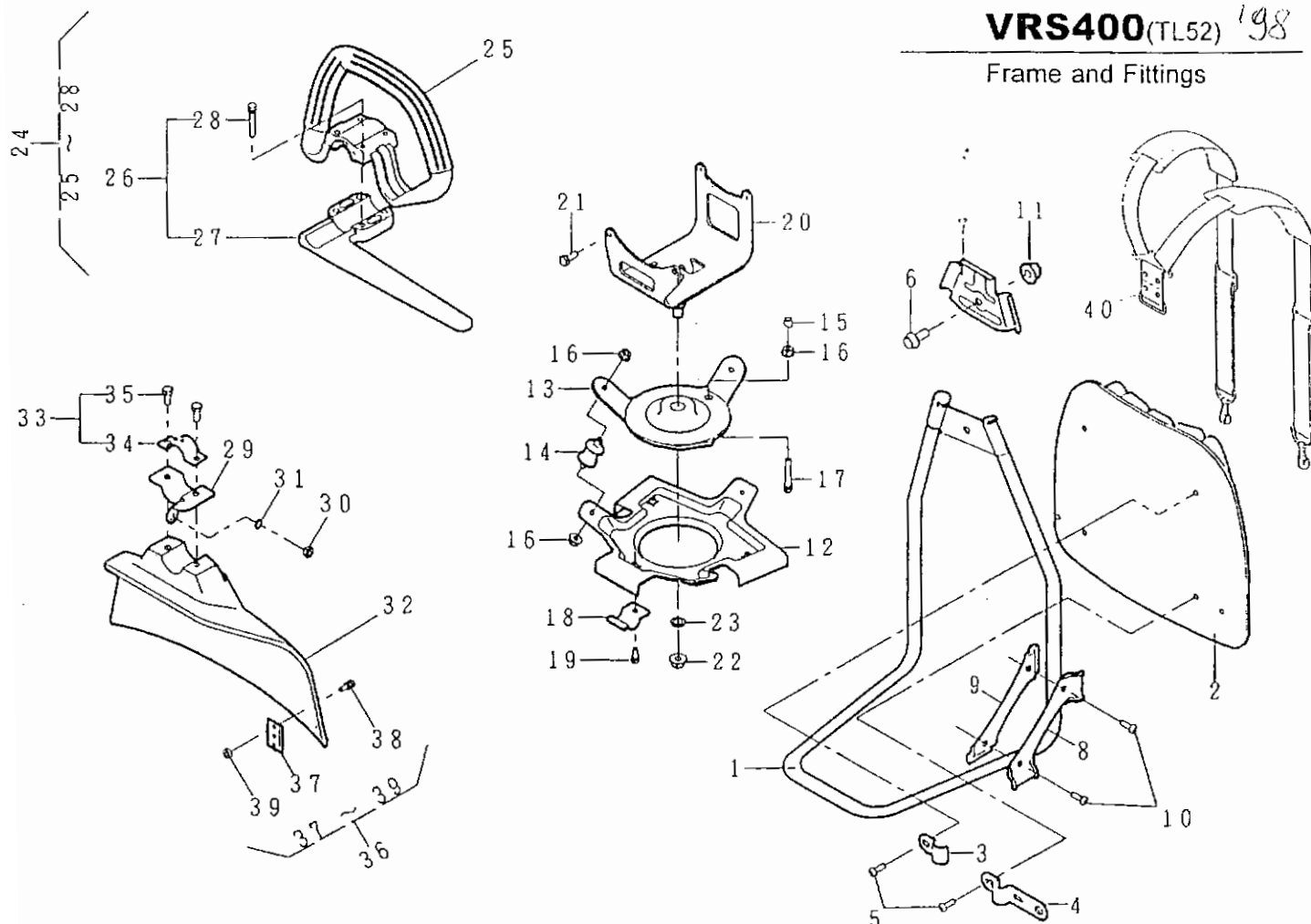
Gear case and Driving Apparatus



46013-508

REF. NO.	PARTS NO.	PARTS NAME	Q' TY		Dec. 1996	RECOMM. (%)	1 / 5	REMARKS
			INCLUDING					
1	71008 294	GEAR CASE ASS'Y	1			-		
2	51001 221	GEAR CASE	1			3		
3	78002 130	BEVEL PINION	1			5		
4	78001 102	BEVEL GEAR	1			5		
5	64001 144	SPLINE SHAFT	1			8		
6	61001 119	SPLINE SLEEVE	1			10		
7	11001 150	HOLDER(A)	1		8250136	10		
8	11002 126	HOLDER(B)	1		8250126	5		
9	36068 125	GUARD	1			12		
10	31001 106	SAW LOCK NUT	1			15		
11	377L 0810	(+)BINDING SCREW	M8x10	1		3		
12	61002 128	OIL SEAL	TC 17x32x8	1		10		
13	919B 6201	BEARING	6201C3	1		5		
14	913B 0629	BEARING	629	1		5		
15	913B 6000	BEARING	6000	1		5		
16	912B 6000	BEARING	6000ZZ	1		5		
17	811V 3200	C-SNAP RING FOR HOLE	φ32	1		4		
18	811V 2600	C-SNAP RING FOR HOLE	φ26	1		4		
19	812V 1000	C-SNAP RING FOR SHAFT	φ10	1		4		
20	419U 0630	SOCKET SCREW	M6x30	1		3		
21	335M 0512	FLASNGE BOLT	M5x12	1		3		
22	71009 364	MAIN PIPE ASS'Y		1		-		
23	71130 135	MAIN PIPE C. P.		1		5		
24	71077 114	FLEX. CONNECTOR ASS'Y		1		-		
25	31014 115	FLEX. CONNECTOR		1		-		

Frame and Fittings

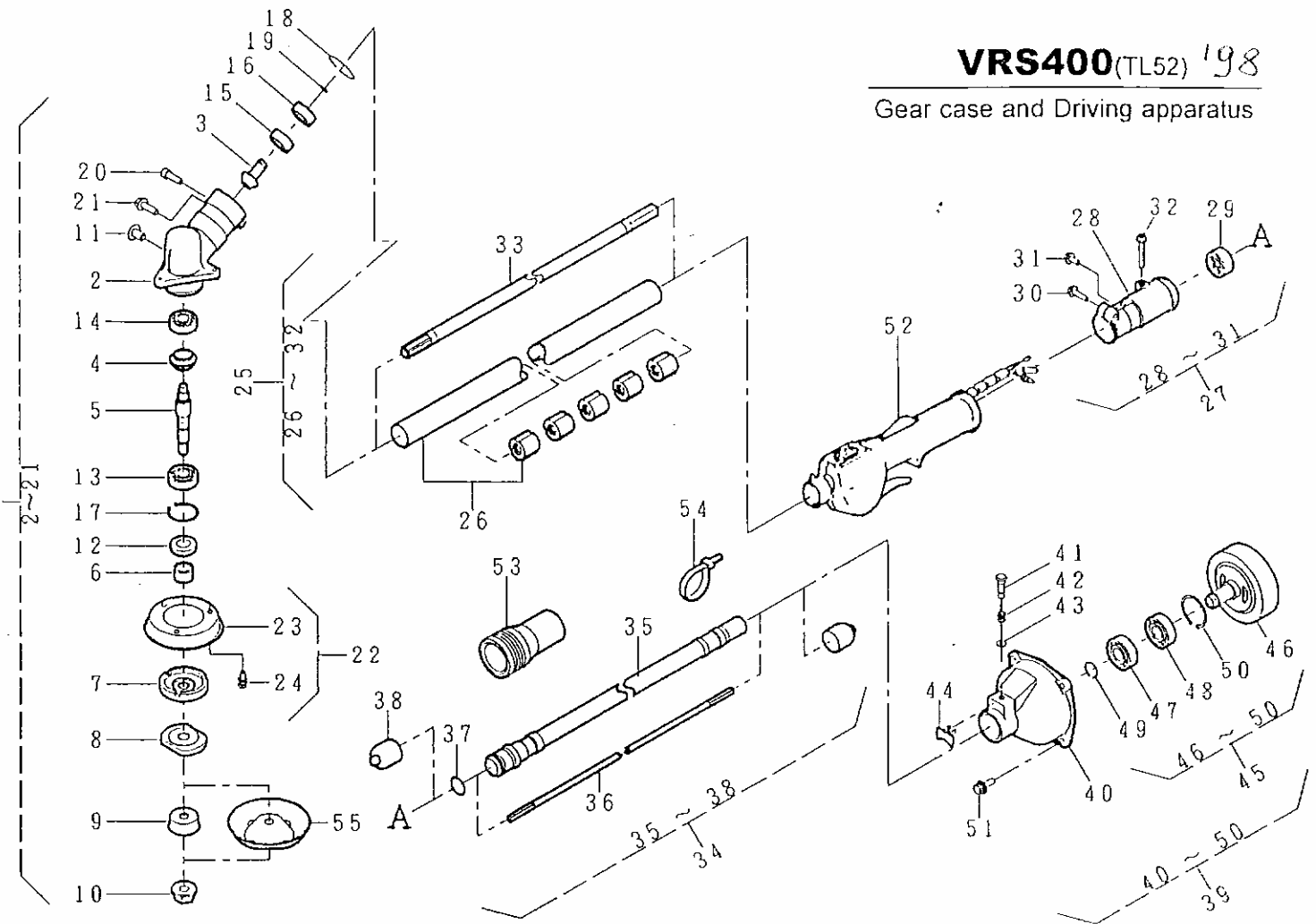


46013-585

REF. NO.	PARTS NO.	PARTS NAME	Q' TY	JUN. 1998		REMARKS
				INCLUDING	RECOMM. (%)	
1	36122 113 42	KNAPSACK FRAME	1		3	
2	91027 119	KNAPSACK PAD	1		3	
3	11021 101	KNAPSACK PAD FITTING	2		3	
4	11021 105	KNAPSACK PAD FITTING	2		3	
5	475L 0516	(+)TAPPING SCREW	M5×16	6	3	
6	335L 0815	FLANGE BOLT	M8×15	1	3	
7	11113 290	STAY		1	3	
8	11113 298	STAY		2	3	
9	11113 299	STAY		2	3	
10	315L 0616	(+)HEXAGON BOLT(W/SW, PW)		4	3	
11	583L 0800	FLANGE CAP NUT	M8	1	3	
12	11044 171	BASE		1	3	
13	11121 106 09	VIBRO-ISOLATING SUPPORT CP		1	3	
14	36005 111	VIBRO-ISOLATING RUBBER		3	9	
15	36015 101	STOPPER RUBBER		1	3	
16	571L 0600	FLANGE NUT	M6	7	3	
17	315L 0630	(+)HEXAGON BOLT(W/SW, PW)	M6×30	1	3	
18	11011 123	CLAMP		3	3	
19	318L 0512	(+)HEXAGON BOLT(W/SW)	M5×12	3	3	
20	11020 132	ENGINE SUPPORT C. P.		1	1	
21	31057 139	HEXAGON BOLT		4	3	
22	513L 1000	HEXAGON NUT		1	3	
23	661U 1000	SPRING LOCK WASHER		1	3	
24	71304 102	SINGLE HANDLE SET		1	-	
25	51023 145	SINGLE HANDLE		1	3	

VRS400(TL52) 198

Gear case and Driving apparatus



46013-585

REF. NO.	PARTS NO.	PARTS NAME	Q'TY	JUN. 1998		REMARKS
				RECOMM. (%)	1/5	
1	71008 294	GEAR CASE ASS'Y	1	-		
2	51001 221	GEAR CASE	1	3		
3	78002 130	BEVEL PINION	1	5		
4	78001 102	BEVEL GEAR	1	5		
5	64001 144	SPLINE SHAFT	1	8		
6	61001 119	SPLINE SLEEVE	1	10		
7	11001 150	HOLDER(A)	1	10		
8	11002 126	HOLDER(B)	1	5		
9	36068 125	GUARD	1	12		
10	31001 106	SAW LOCK NUT	1	15		
11	377L 0810	(+)BINDING SCREW M8×10	1	3		
12	61002 128	OIL SEAL TC 17×32×8	1	10		
13	919B 6201	BEARING 6201C3	1	5		
14	913B 0629	BEARING 629	1	5		
15	913B 6000	BEARING 6000	1	5		
16	912B 6000	BEARING 6000ZZ	1	5		
17	811V 3200	C-SNAP RING FOR HOLE φ32	1	4		
18	811V 2600	C-SNAP RING FOR HOLE φ26	1	4		
19	812V 1000	C-SNAP RING FOR SHAFT φ10	1	4		
20	419U 0630	SOCKET SCREW M6×30	1	3		
21	335M 0512	FLANGE BOLT M5×12	1	3		
22	71001 117	GRASS COVER SET	1	-		
23	11004 129 09	GRASS COVER	1	4		
24	318L 0510	(+)HEXAGON BOLT(W/SW) M5×10	3	3		
25	71009 384	MAIN PIPE ASS'Y	1	-		

